

HydroSure™

IRRIGATION SYSTEMS THAT WORK

Automated Dual Zone Pop Up Rotor Lawn Sprinkler System with Timer

www.hydrosure.com

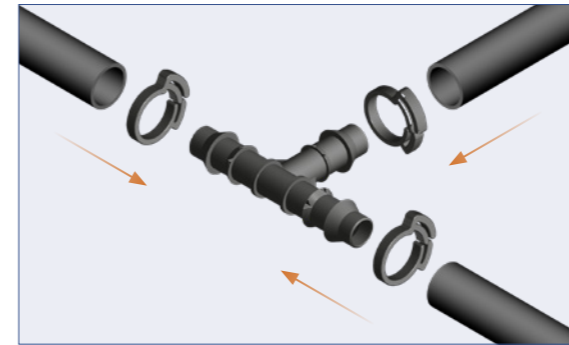
AUTOROTORSPRINKLERSYSTEM



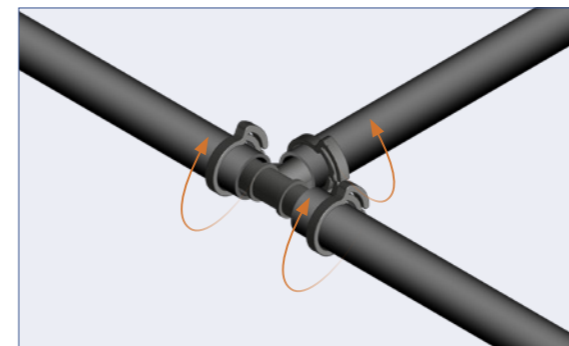
5 056287 726404 >

CONNECTING

RACHET CLAMPS

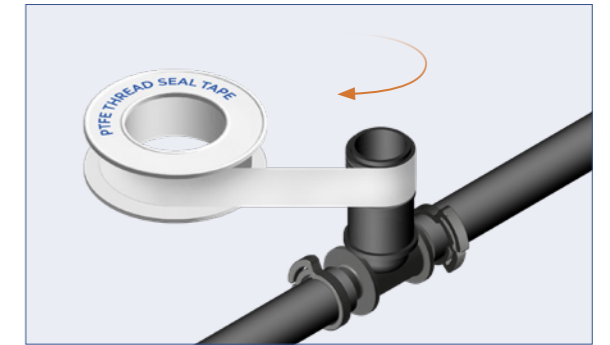


Use ratchet clamps on ALL barbed connections

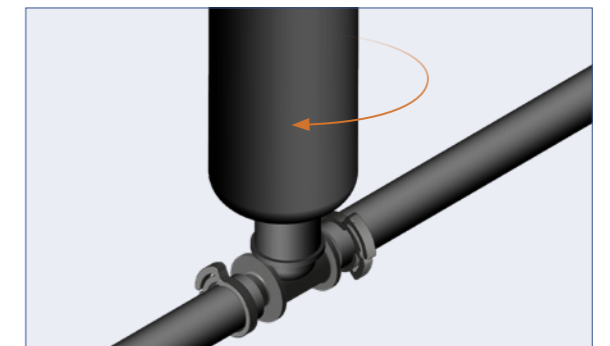


Pinch ratchet clamps & check for leaks

THREADED JOINTS



Apply PTFE tape on ALL threaded outlets



Hand tighten & check for leaks

COMPONENTS INCLUDED

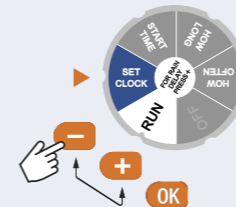
A x1	B x2	C x1	D x40
E x12	F x10	G x5	H x6
x6	x4		
I x2	J x1	K x1	

INSTALLATION

Dual Outlet Digital Display Timer (A)

The HydroSure Dual Outlet Digital Display Timer is an easy to set up automated solution for your sprinkler system.

Easily program in minutes by turning the dial to 'Set Clock' and entering the current time using the + and - buttons. To confirm the settings press 'OK'.



Next, turn the dial to 'Start Time' and select the duration and how often you would like to run your system.

Scan this QR code for full instructions



The timer arrives complete with a built-in ECO function easily adjusted to set the watering duration into smaller watering cycles. This delay function pauses then re-commences watering acting as a soak time, minimising wastage and runoff.

For extra water-saving capabilities, use alongside the HydroSure Rain Sensor (not included) to skip watering on rainy days or when the soil is too wet.

For more information including optimum run times and watering frequency requirements throughout the season, read our Irrigation Timer Buyers Guide.

Water Supply

Example 2

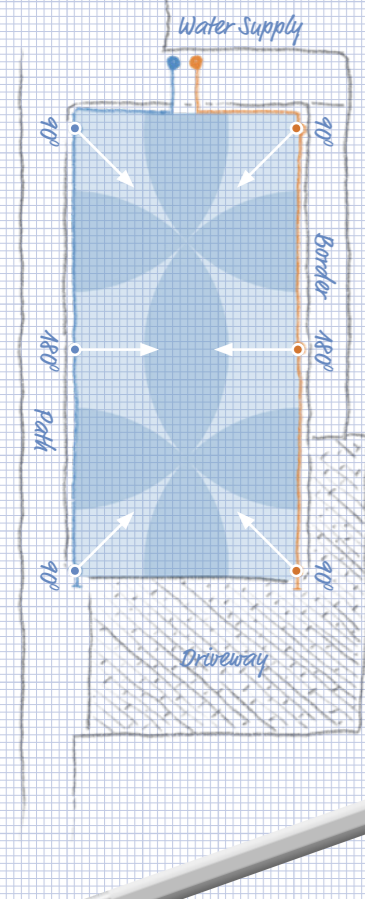
Sprinklers (H) must be flush with the ground

View our website for ALL products

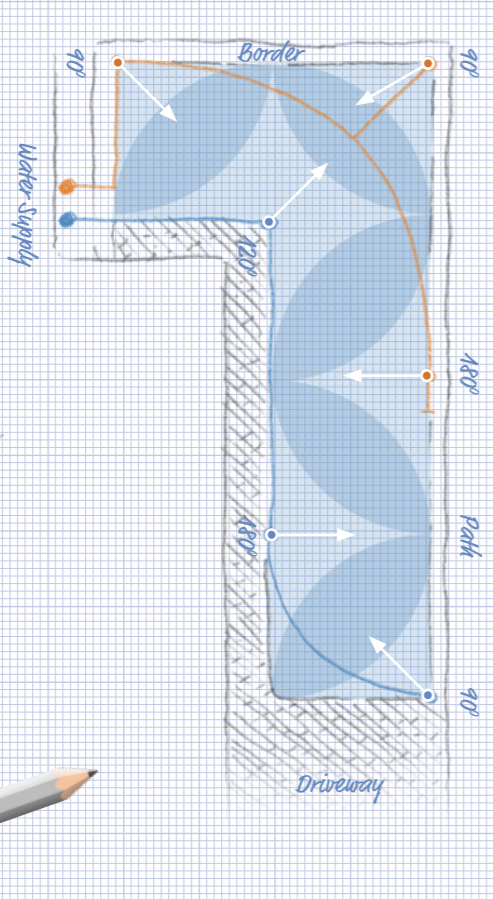
HydroSure has all the products you need to create an irrigation system unique to your garden layout.

PLANNING & TIPS

Example 1



Example 2



Before installing an underground pop up sprinkler system, calculate the available water and the bar pressure from your water source.

Take the output from each nozzle in litres per minute or litres per hour and multiply by how many sprinklers you intend to run in the sprinkler zone. This will tell you how many sprinklers can be run in a single length.

Sprinklers should be evenly spaced to create 100% overlap of spray patterns.

The beam of one sprinkler should meet the location of where another is in situ, minimising dry spots for head to head watering.

Please Note: A sprinkler's maximum throw distance/radius based on the manufacturer's performance chart will depreciate due to wind drift and pressure loss within the pipe.

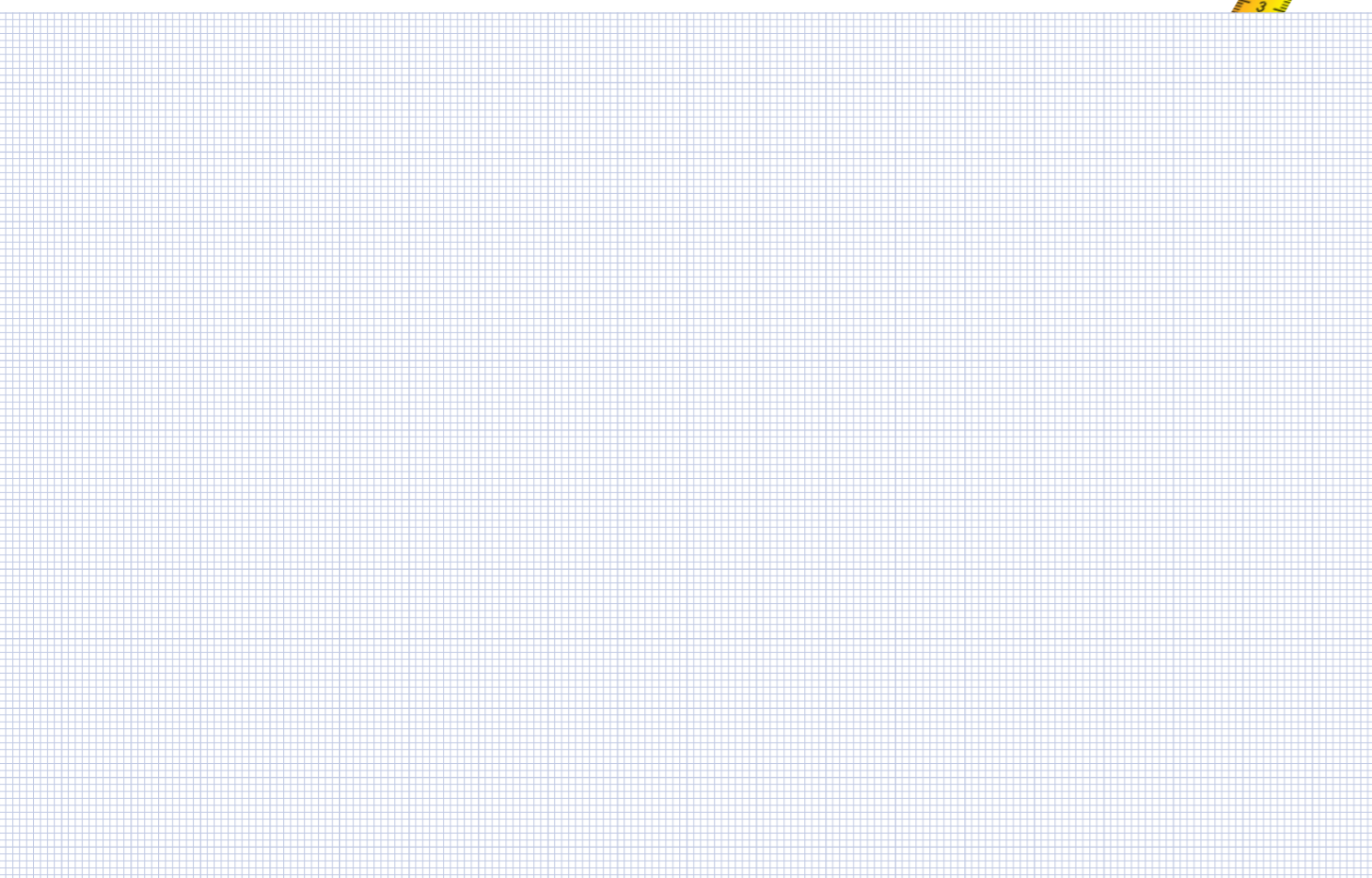
Take into account wind conditions and elevation to assist with your calculations.

A good design with plenty of overlap is more cost-effective than a bad design with fewer sprinklers.

Nozzle	Pressure		Radius		Flow Rate	
	PSI	Bars	Feet	Metre	L/M	M ³ /H
0.75	30	2.07	18	5.5	2.8	0.17
	40	2.76	19	5.8	3.0	0.18
	50	3.45	20	6.1	3.4	0.20
1.0	30	2.07	26	7.9	3.4	0.20
	40	2.76	27	8.2	4.5	0.27
	50	3.45	27	8.2	4.9	0.30
1.5 Pre-Installed	30	2.07	27	8.2	5.7	0.35
	40	2.76	27	8.2	6.8	0.41
	50	3.45	28	8.5	7.6	0.46
2.0	30	2.07	29	8.8	7.6	0.46
	40	2.76	30	9.1	8.7	0.53
	50	3.45	31	9.4	10.2	0.62
3.0	30	2.07	32	9.8	11.4	0.69
	40	2.76	33	10.1	12.9	0.78
	50	3.45	33	10.1	14.4	0.87

PLANNING - YOUR LAYOUT

SKETCH YOUR LAYOUT. Draw any obstacles you need to work around. Mark the intended location of each sprinkler head.



HELPFUL HINTS

PIPES & NOZZLES

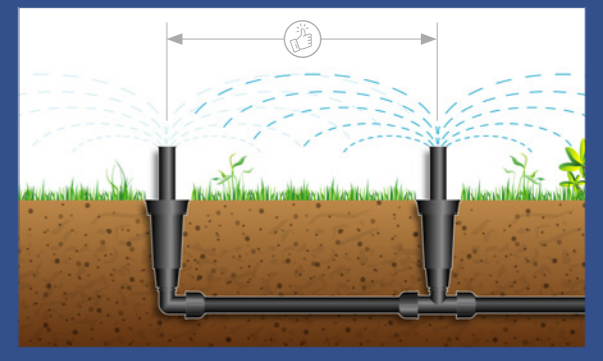


Unravel pipes for at least 1hr before assembly



Use this key to remove, replace and adjust nozzles

COVERAGE



Ensure water from one sprinkler reaches the next

Use a flat blade shovel or half moon edger to cut slots in the lawn.

Work along in short intervals, pushing the tubing in with your hands.

The tubing and sprinklers must be deep enough so that the sprinklers are flush with the ground.

Finish by packing dirt around the sprinklers and tamping the ground for a neat appearance.

Check full function of the system before covering

ADDITIONAL EQUIPMENT

FILTERS



NUT LOCK CONNECTORS



RAIN SENSOR



LDPE PIPE

