

HydroSure™

IRRIGATION SYSTEMS THAT WORK

Mini Sprinkler Irrigation System

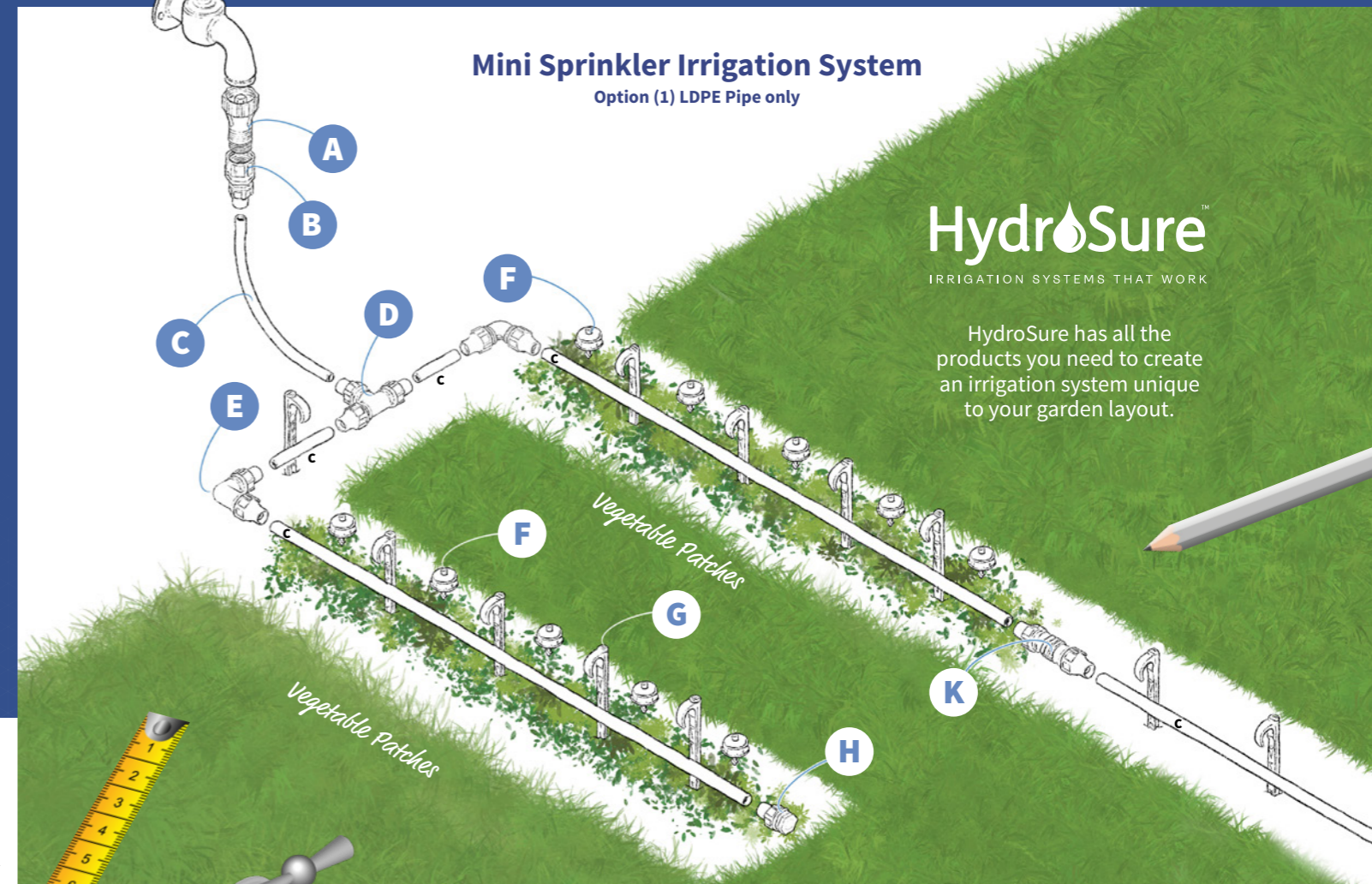
www.hydrosure.com

MINISPRINKLERSYSTEM



5 056287 725711 >

PLANNING



HydroSure™

IRRIGATION SYSTEMS THAT WORK

HydroSure has all the products you need to create an irrigation system unique to your garden layout.

COMPONENTS INCLUDED

A x1	B x1	C x1	D x1
E x2	F x10	G x20	H x2
I x1	J x1	K x2	L x1
			M x10

SUPPLYING THE SYSTEM

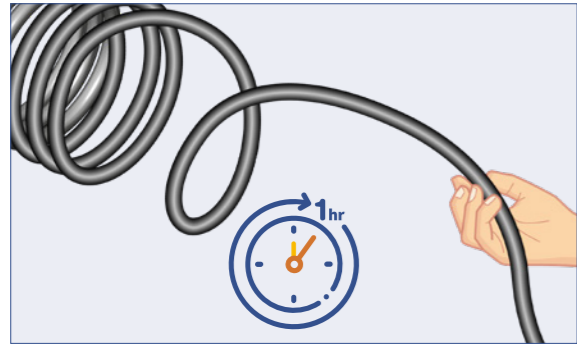
1
LDPE Pipe only

Things you might need

2
Hose to LDPE Pipe

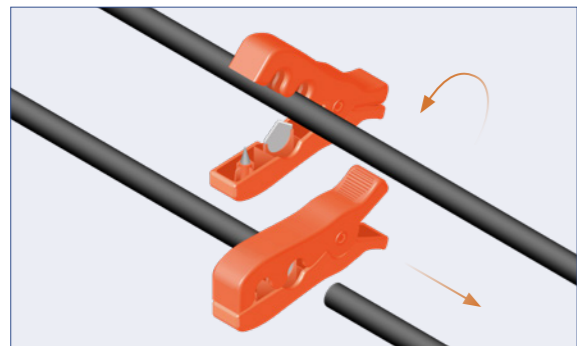
HELPFUL HINTS

UNRAVELLING



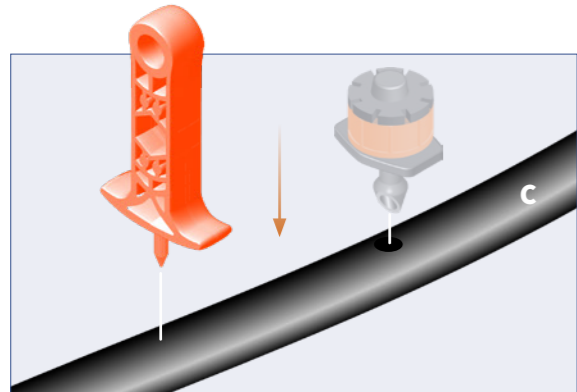
Unravel pipes for at least 1hr before assembly

CUTTING



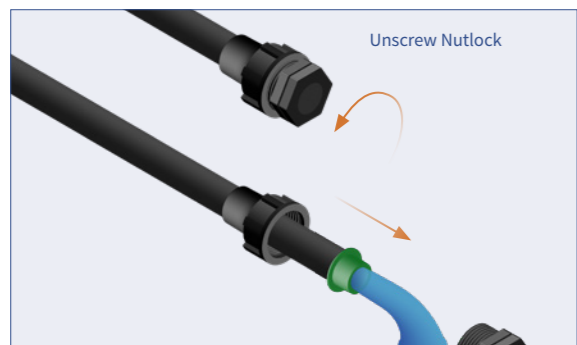
Cut pipes using the supplied tool (I)

HOLE PUNCHING



Use the supplied tool (J) to punch holes into LDPE Pipes

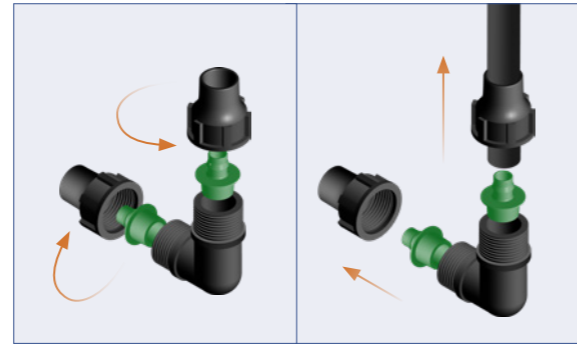
FLUSHING



Remove End Plug (H) to flush

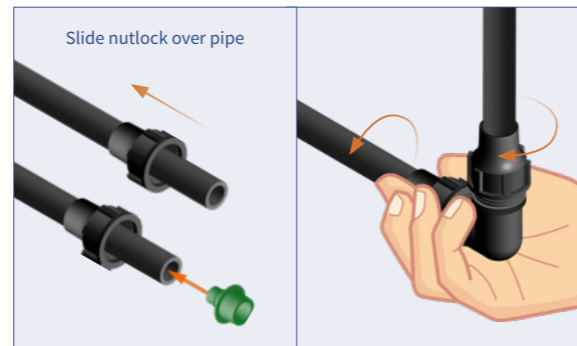


COMPONENTS



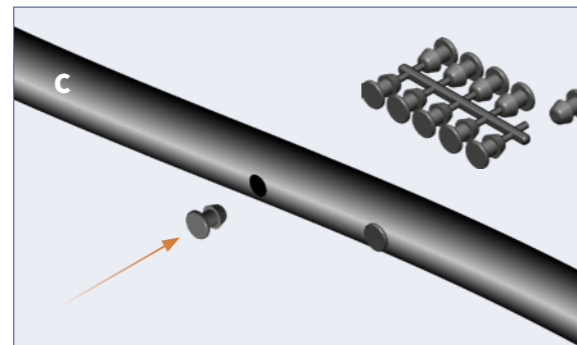
Unscrew Nutlocks & remove the inner Push Fitting

ASSEMBLY



Push Inner Fitting into the pipe & hand tighten Nutlocks

HOLE PLUGGING



Use supplied Plugs (M) to block holes (if needed)

WINTERISING



Drain the system, dismantle and safely pack away

ADDITIONAL EQUIPMENT

TIMERS



FILTERS



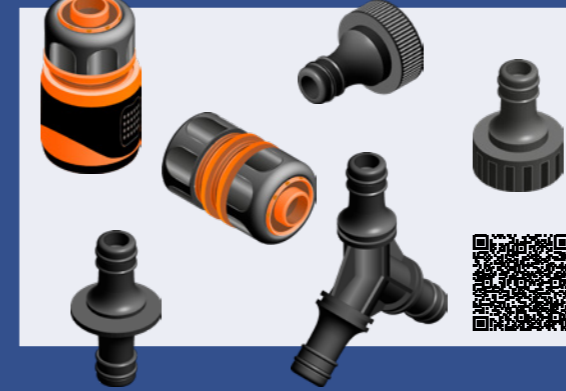
CLAMPS



JOINERS



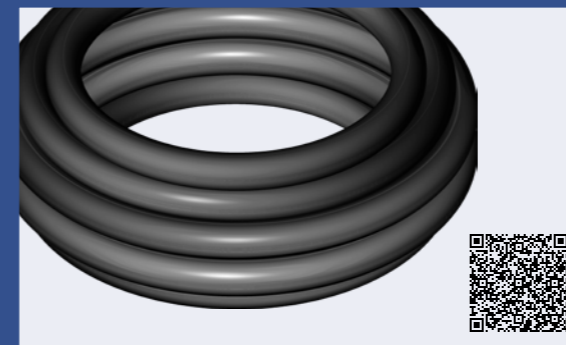
CONNECTORS



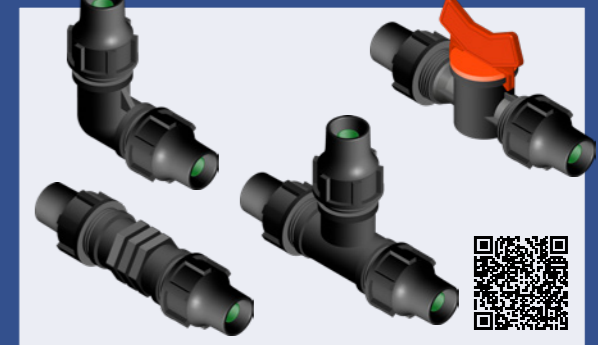
MICRO PIPE & STAKES



EXTEND YOUR SYSTEM



LDPE PIPE



CONNECTORS

HydroSureTM
IRRIGATION SYSTEMS THAT WORK

