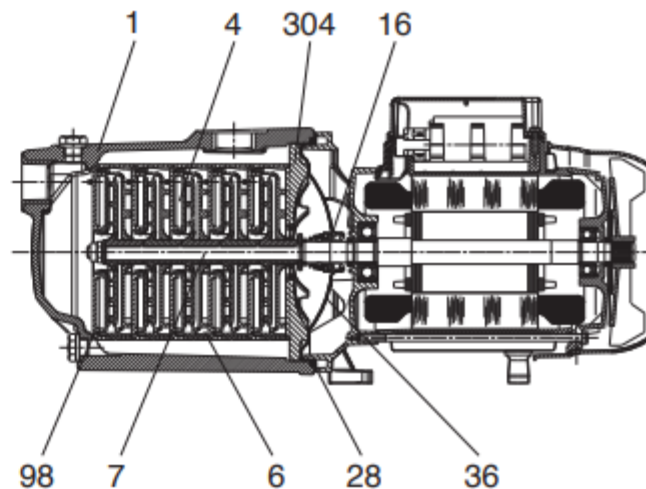


EuroInox Product Specifications

Materials

| N° | PARTS * | MATERIALS |
|-----|-------------------|--|
| 1 | PUMP BODY | 200 UNI ISO 185 CAST IRON |
| 4 | IMPELLER | TECHNOPOLYMER |
| 6 | DIFFUSER | TECHNOPOLYMER |
| 7 | SHAFT WITH ROTOR | AISI 304 STAINLESS STEEL X5CrNi 1810 UNI 6900/71 |
| 16 | MECHANICAL SEAL | CARBON/CERAMIC |
| 28 | OR GASKET | NBR |
| 36 | SEAL HOLDER COVER | AISI 304 STAINLESS STEEL X5CrNi 1810 UNI 6900/71 |
| 98 | DIFFUSER BODY | TECHNOPOLYMER |
| 304 | REAR DISC | TECHNOPOLYMER |

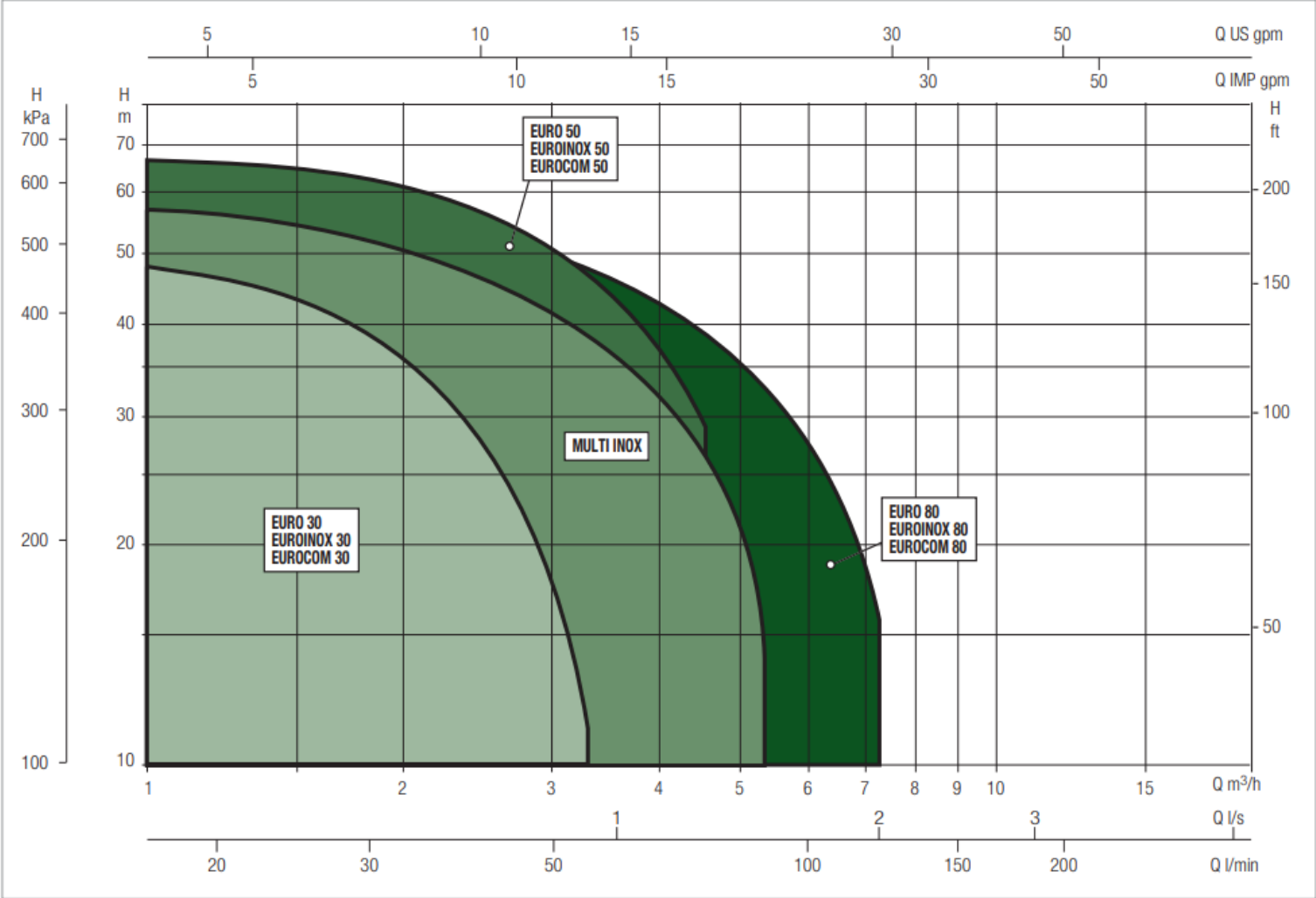
* In contact with liquid



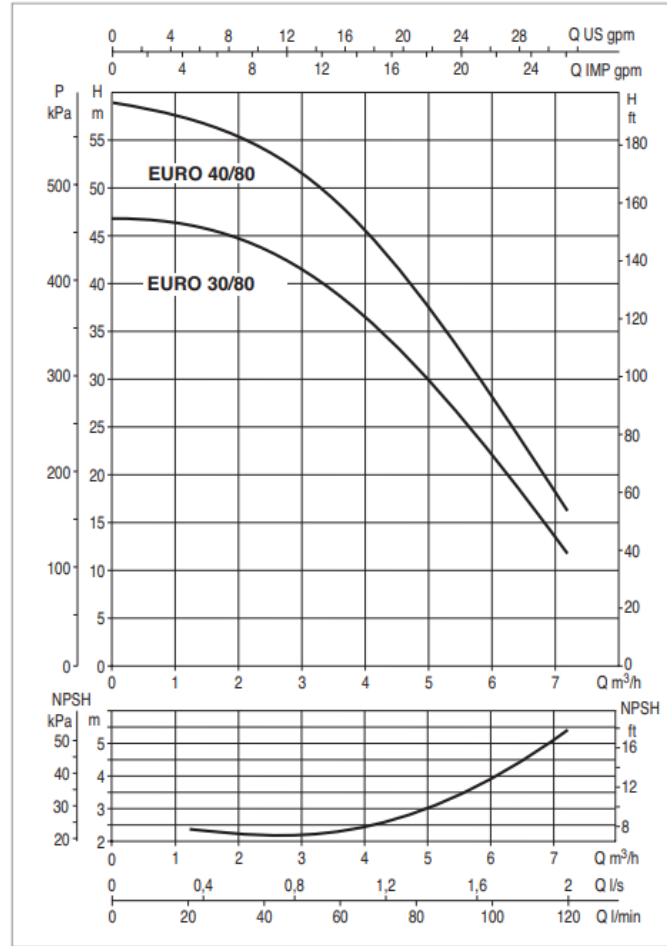
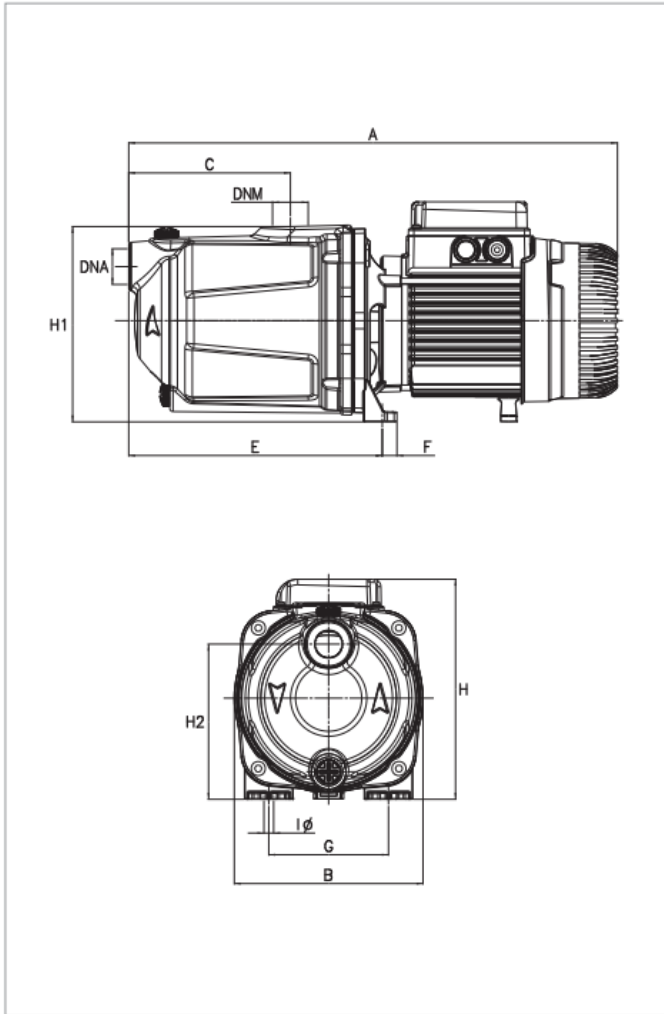
Performance Range

The performance curves are based on kinematic viscosity values = 1 mm²/s and density equivalent to 1000 kg/m³. Curve tolerance according to ISO 9906.

GRAPHIC SELECTION TABLE



Dimensions & Performance Curves



The performance curves are based on the kinematic viscosity values = 1 mm²/s and density equivalent to 1000 kg/m³. Curve tolerance according to ISO 9906.

| Model | A | B | C | E | F | G | I ø | H | H1 | H2 | DNA GAS | DNM GAS | Pack Dimensions | | | Volume (MC) | Gross Weight Kg |
|------------|-----|-----|-----|-----|------|-----|-----|-----|-----|-----|---------|---------|-----------------|-----|-----|-------------|-----------------|
| | | | | | | | | | | | | | L/A | L/B | H | | |
| Euro 40/80 | 458 | 174 | 166 | 241 | 13.5 | 111 | 9 | 203 | 196 | 143 | 1" | 1" | 480 | 212 | 265 | 0.031 | 15.5 |